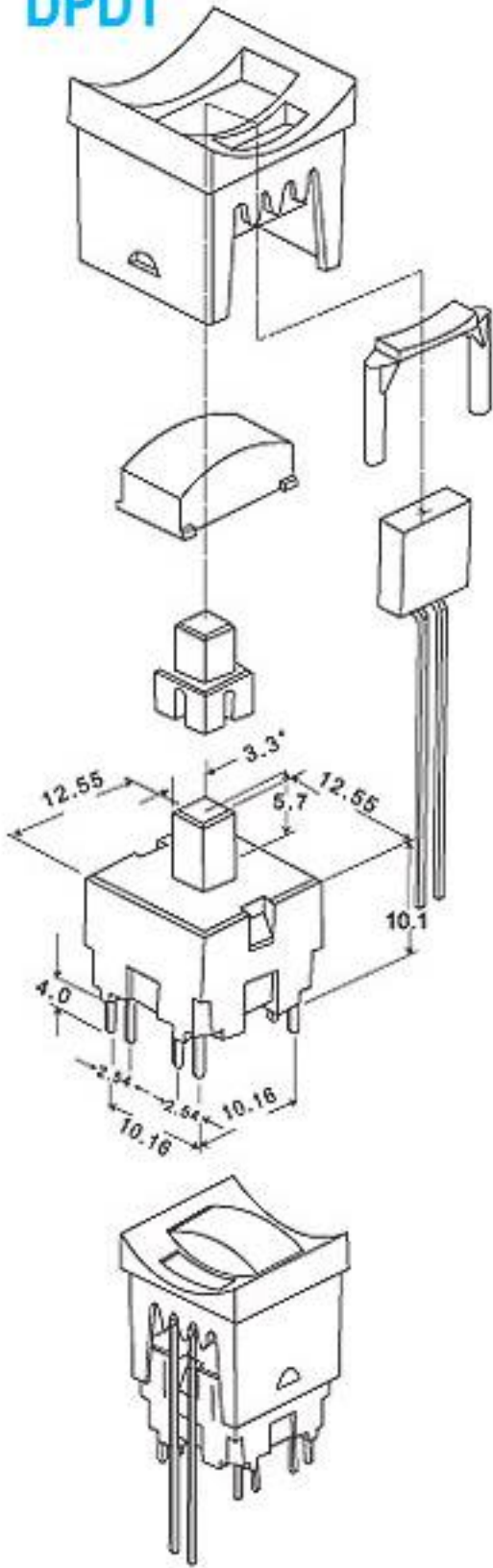
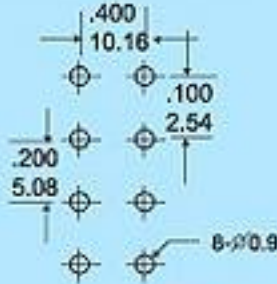


DMS DPDT Pushbutton Module Switches/WITH LED x 1 or x 2

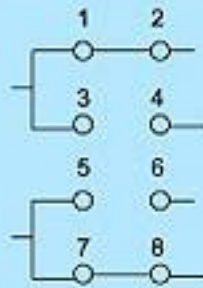
DPDT



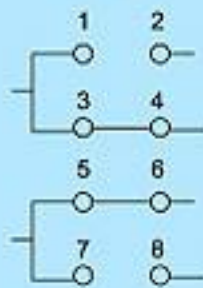
PCB MOUNTING



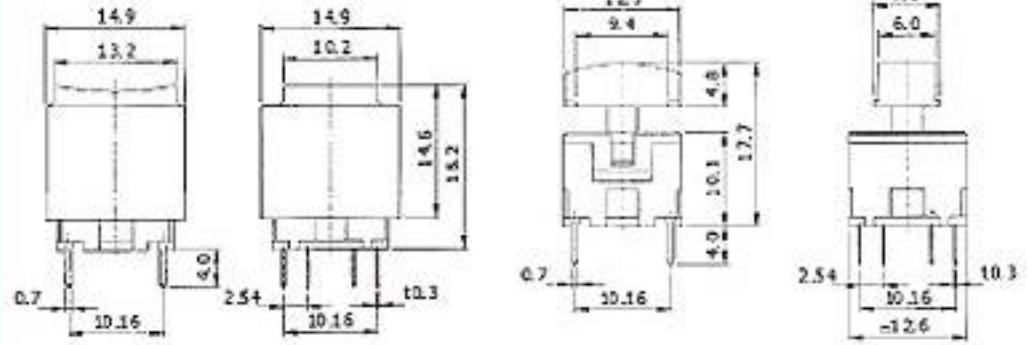
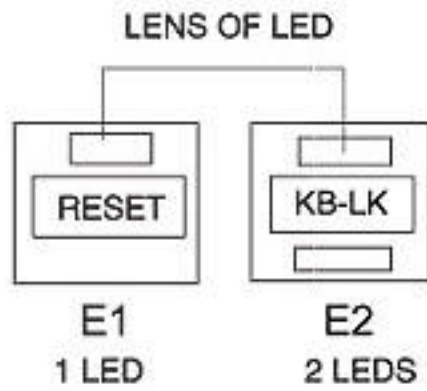
CONTACT CONFIGURATION



OPEN

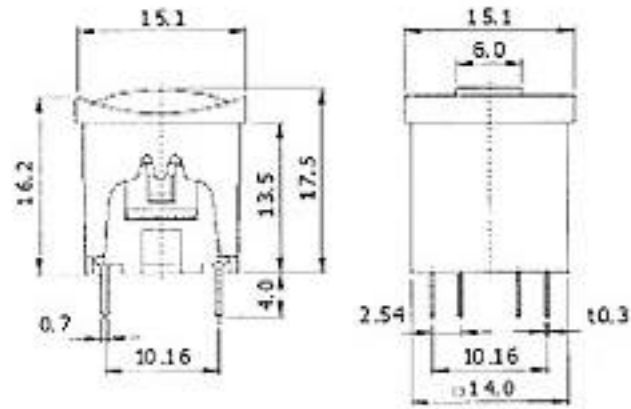


CLOSED

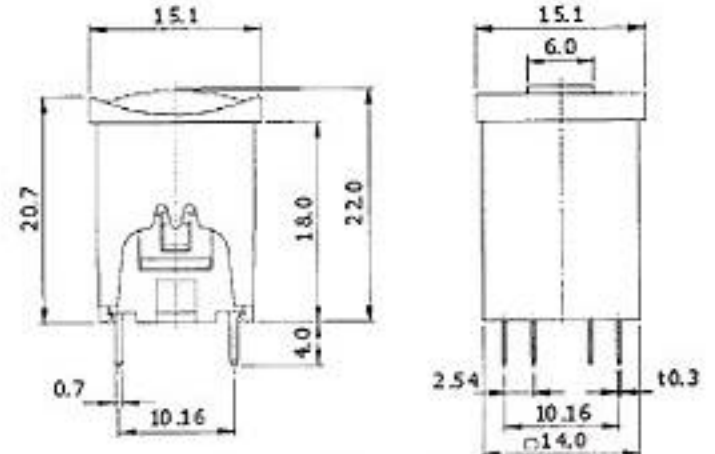


Square Button (A)

Small Button (B)



Standard Cover (SS)



Extended Cover (ES)

HOW TO ORDER

DMS-00 B5 SS2 X B : NON
B : RESET
C : KB-LK

SWITCH MODULE, FUNCTION

- DMS-00(Silver Momentary), DPDT
- DMS-10(Silver Latching), DPDT
- DMS-03(Gold Momentary), DPDT
- DMS-13(Gold Latching), DPDT

BUTTONS AND NON-LED COVERS

- Square Button A
- Button B

EXTENDED COVERS (FOR RECTANGULAR LEDS)

- cover S
- Extended Cover S/ES
- Extended Cover/1 LED E1
- Extended Cover/2 LEDS E2

COLOR CODE BUTTONS, COVERS LEDs	
1:	Black
2:	Gray
3:	Yellow
4:	Blue
5:	Red
6:	Orange
7:	Green
8:	White
9:	Amber

CODE FOR FUNCTION

- 00 = Silver, Momentary
- 10 = Silver, Latching
- 03 = Gold, Momentary
- 13 = Gold, Latching

CODE FOR BUTTON STYLE AND COLOR

- A Lg Square Button
 - B Sm Rectangular Button
- if square button is selected P/N is now completed.

CODE FOR COVER STYLE AND COLOR

- SS Standard Cover Hook type
- ES Extenden Cover Hook type
- E1 Extenden Cover 1 LED
- E2 Extenden Cover, 2 LEDS

LED COLOR

- : NON LED
- R: RED Y: YELLOW G: GREEN